



100 Civic Center Parkway
Burnsville, MN 55337-3817

CITY OF BURNSVILLE
**Application Requirements
Residential Lawn
Irrigation System**



(952) 895-4444

A "DO-IT-YOURSELF" GUIDE

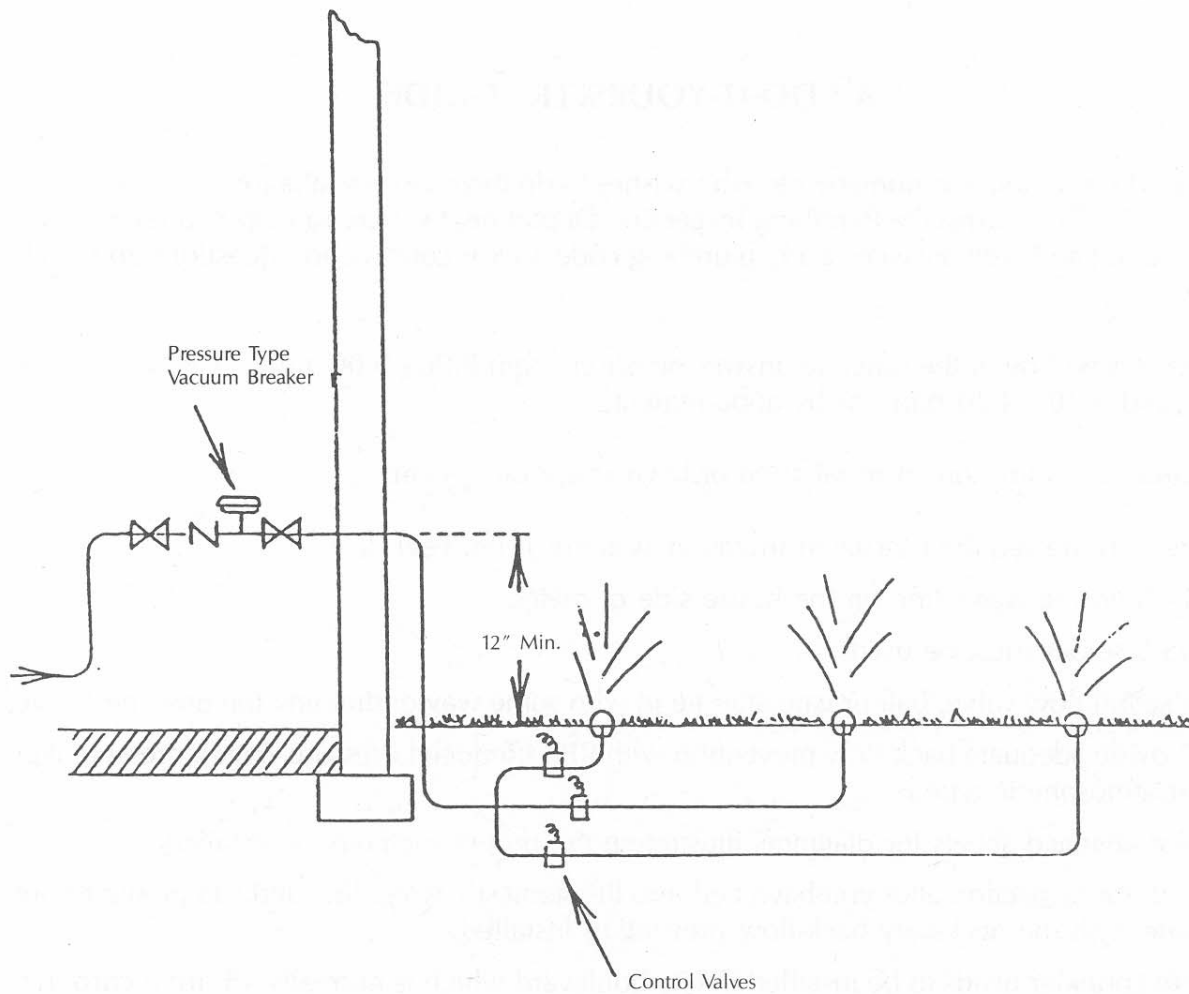
This guide is to help the homeowner who wishes to do their own installation of a lawn irrigation system. The Burnsville Plumbing Inspection Department is here to help you with obtaining a permit and with answering any plumbing code and/or construction questions you might have.

(Inspectors will be in the office to answer questions from 8:00 -9:00 a.m., 11:30 a.m. -1:00 p.m., and 3:30 -4:30 p.m., or by appointment.

Required Items for correct installation of lawn irrigation system:

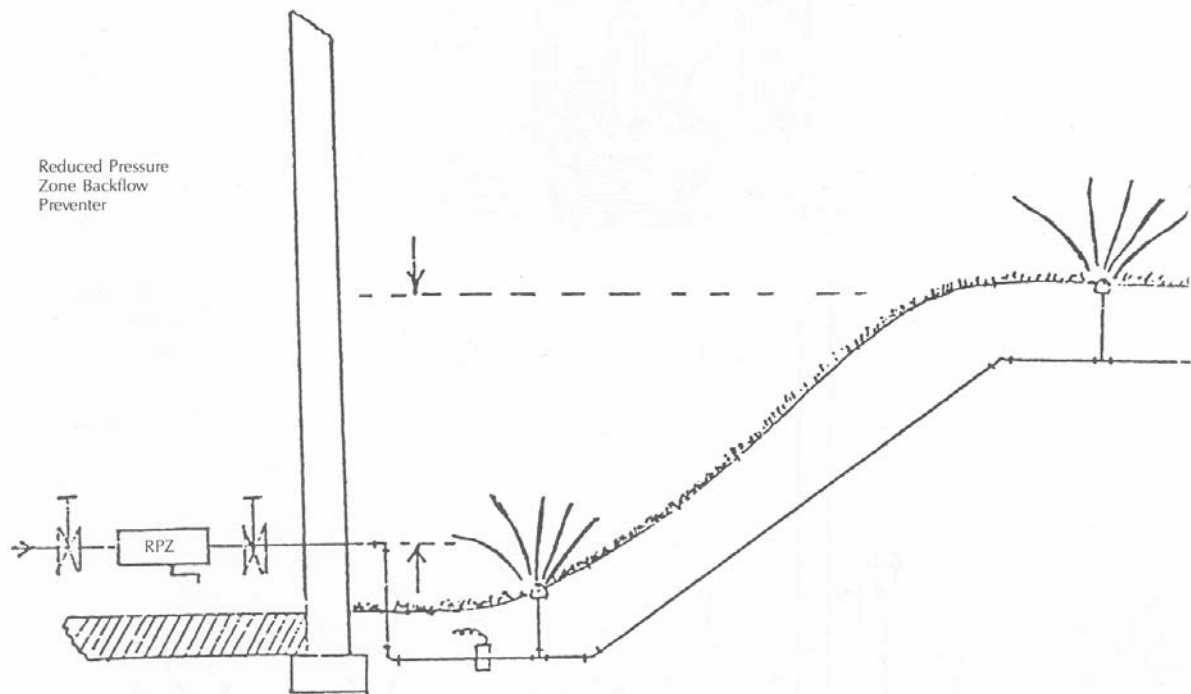
1. Permits are required for lawn irrigation systems. (Min. Fee)
2. Tie into the water line on the house side of meter.
3. 95-5 solder must be used.
4. Use full flow valve, bail or gate after tie in with some way of draining the line after valve.
5. Provide adequate back flow prevention with RPZ (Reduced Pressure Zone), pressure type or atmospheric type.
6. See attached sheets for diagrams illustrating the proper methods of installation.
7. Call for inspection after you have tied into the domestic water line and run piping to outside with the necessary back-flow prevention installed.
8. No sprinkler heads to be installed in city boulevard which is normally 15' from curb line. No sprinkler heads to be installed within 2' of city sidewalk.

Note: Plumbing Contractors doing the installation must be licensed.



Pressure type vacuum breaker on lawn sprinkler system must be installed at least 12 inches above highest sprinkler outlet and may be subject to constant static pressure.

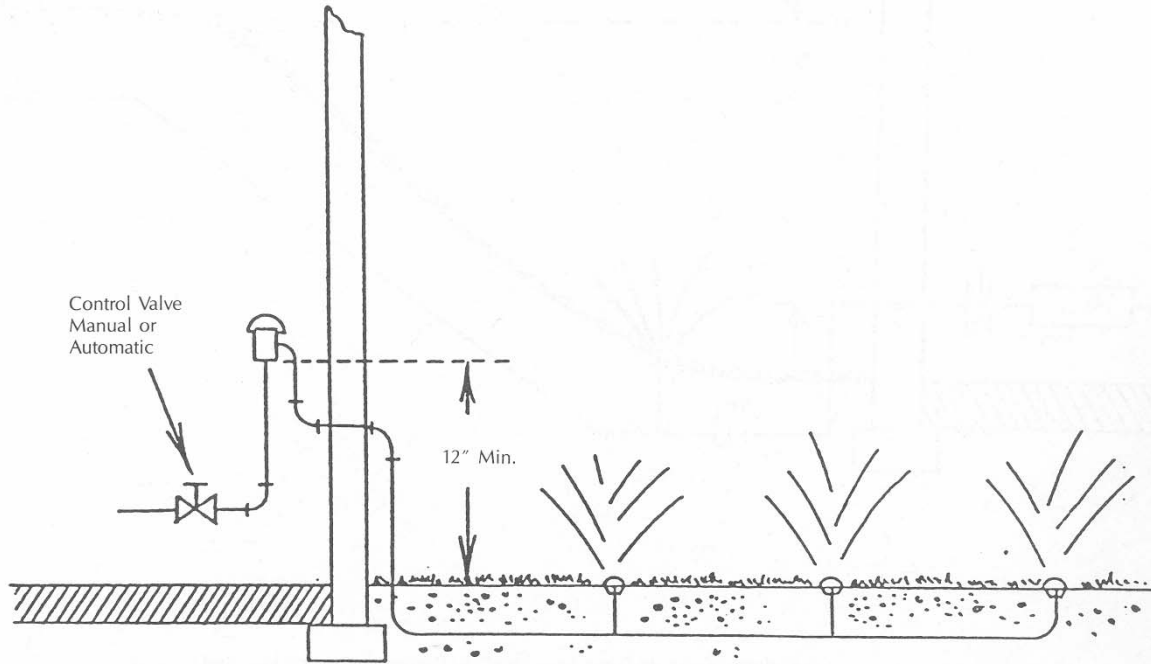
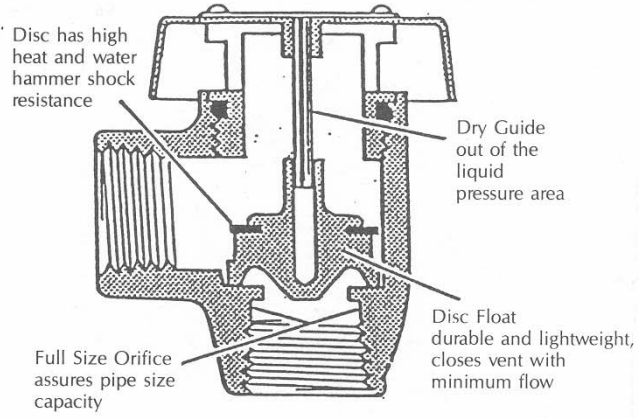
4715.2110
Reduced Pressure Zone
Backflow Preventer



A Reduced Pressure Zone Type Backflow Preventer must be installed on lawn sprinkler systems when any sprinkler outlet is higher than the backflow preventer. (May be subject to constant static pressure, back pressure, and back syphonage.)

ATMOSPHERIC TYPE VACUUM BREAKER

4715.2150
Vacuum Breakers
Atmospheric Type



Atmospheric vacuum breaker on lawn sprinkler system must be installed at least 12 inches above highest sprinkler outlet and on the non-pressure side of the last control valve.